



MAKITLEAN ORDER GUIDE

CATALOG 28.6MM





TABLE OF CONTENTS

METAL JOINTS	3-7
ROLLER TRACK / TUBE / SLIDE PIPE MOUNTS	8-12
TUBES / SLIDE PIPE	13-15
ROLLER TRACKS / GUIDES	16-17
MONORAIL TRACK & ACCESSORIES	18-20
BASE FEET & CASTERS	21-29
METAL BASES & BASE COMPONENTS	30-33
ACCESSORIES & BASES	34-39
HARDWARE	40-42

➤ *Also available in ESD. Add ESD before part number.*

METAL JOINTS

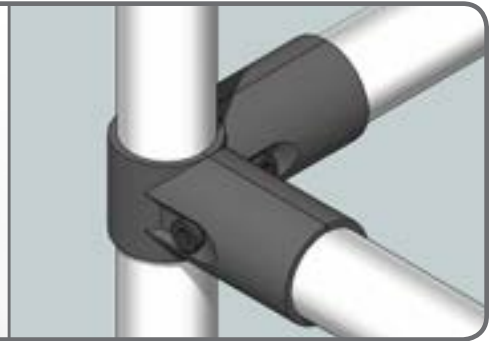
METAL JOINTS

➤ G-A

INSIDE CORNER JOINT

Requires: G-C or G-B

Hardware: V1-28

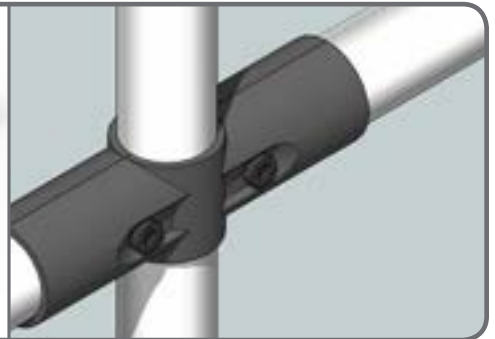


➤ G-B

180° PLATE JOINT

Requires: G-B or (2) G-A

Hardware: V1-28

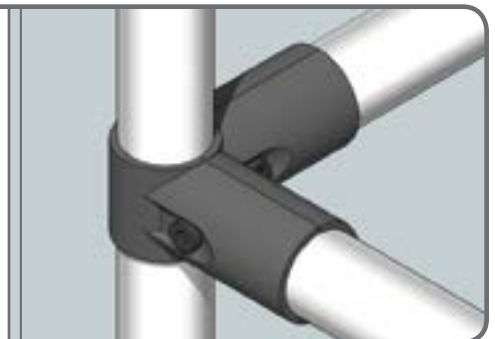


➤ G-C

OUTSIDE CORNER JOINT

Requires: G-A

Hardware: V1-28



➤ G-D

90° JOINT

Requires: G-D

Hardware: V1-28

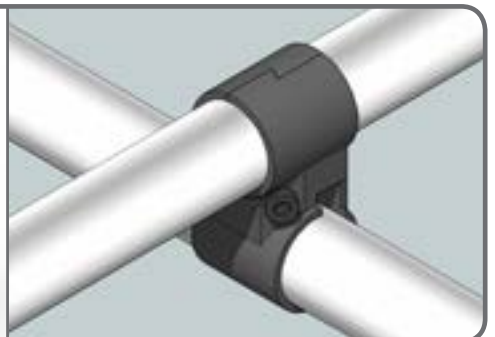


➤ G-E

90° CROSS JOINT

Requires: G-E

Hardware: V1-28



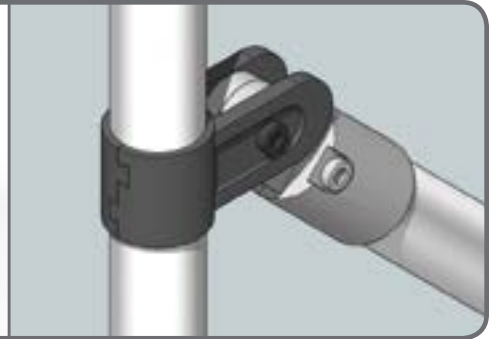
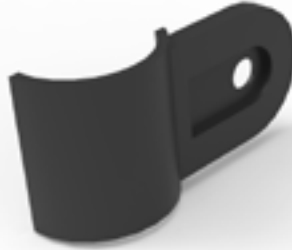
METAL JOINTS

➤ **G-F**

VARIABLE ANGLE JOINT EXT.

Requires: G-F or G-G

Hardware: V1-28

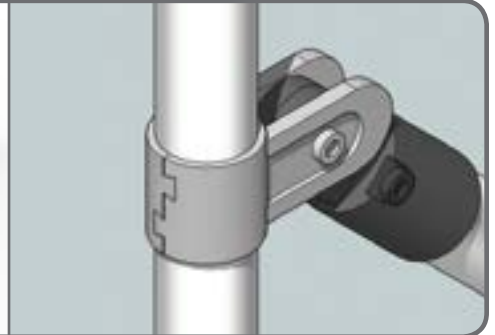


➤ **G-G**

VARIABLE ANGLE JOINT INT.

Requires: G-G or G-F

Hardware: V1-28

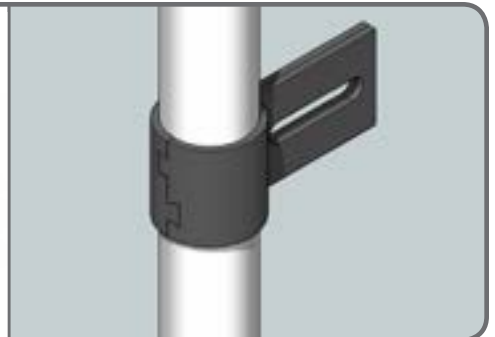


➤ **G-H**

SLOTTED MOUNTING BRACKET

Requires: G-H

Hardware: N/A

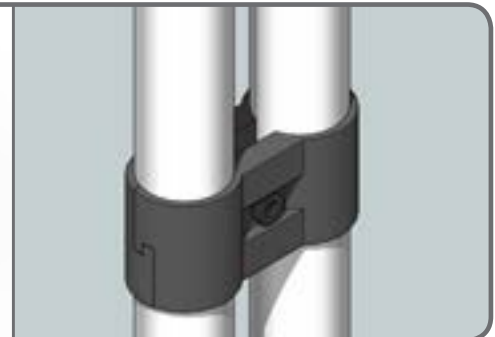
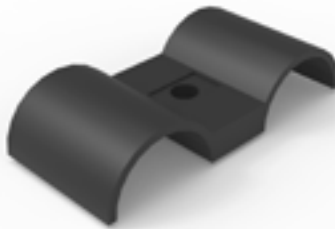


➤ **G-I**

PARALLEL TUBE JOINT

Requires: G-I

Hardware: V1-28



➤ **G-L45**

45° ANGLE JOINT

Requires: G-L45

Hardware: V1-28



METAL JOINTS

➤ **G-L90**

90° ANGLE JOINT

Requires: G-L90

Hardware: V1-28 (x2)



IMAGE COMING SOON

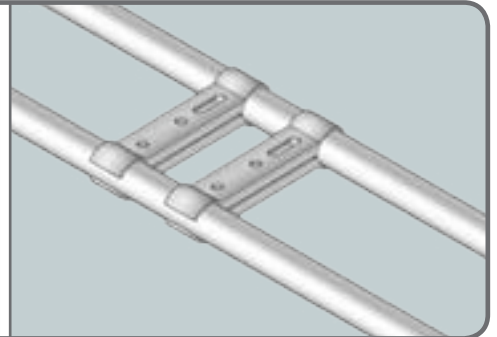
G-P

CASTER MOUNTING BRACKET

Requires: G-P

Uses: T1/T2

Hardware: V3-40



➤ **G-QA**

FLUSH MOUNTING BRACKET UPPER

Requires: G-QB

Hardware: V1-10B



➤ **G-QB**

FLUSH MOUNTING BRACKET LOWER

Requires: G-QA

Hardware: V1-10B



➤ **G-90**

90° JOINT

Requires: G-90

Hardware: V1-28



**ROLLER TRACK / TUBE
/ SLIDE PIPE MOUNTS**

ROLLER TRACK / TUBE / SLIDE PIPE MOUNTS

GM-1

GR MOUNT NO STOP

Requires: GR-400

Hardware: V2



IMAGE COMING SOON

GM-2

GR MOUNT LOW STOP

Requires: GR-400

Hardware: V2



IMAGE COMING SOON

GM-3

GR MOUNT HIGH STOP

Requires: GR-400

Hardware: V2



IMAGE COMING SOON

GM-4

GR MOUNT RIGID BRIDGE

Requires: GR-400

Hardware: V2



IMAGE COMING SOON

GM-6R

GR MOUNT EXTENSION SUPPORT

Requires: GR-400

Hardware: V2



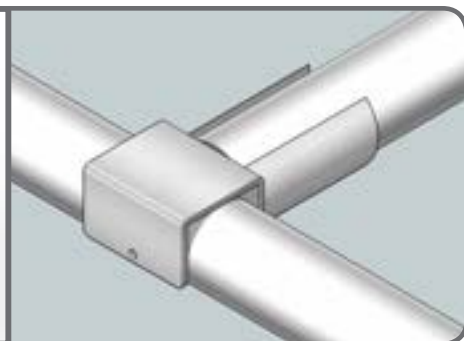
IMAGE COMING SOON

GM-8

TUBE MOUNT NO STOP

Uses: T1/T2 or SP1

Hardware: V2



GM-15

TUBE MOUNT HIGH STOP

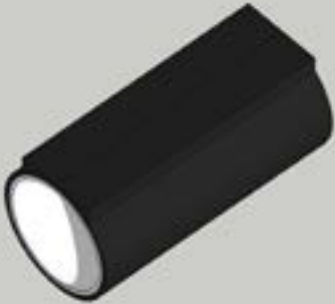

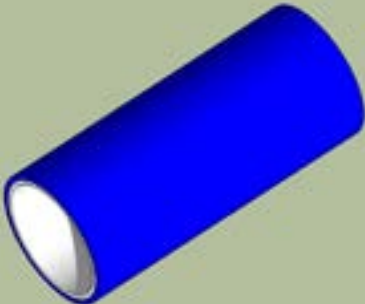
Uses: T1/T2 or SP1

Hardware: V2



IMAGE COMING SOON

TUBES / SLIDE PIPE

<p>➤ SP1-BLACK</p> <p>SLIDE PIPE 28.0MM OD 1MM WALL 4M LENGTH</p> <p>Uses: TM Fittings</p> <p>Grooved tube providing minimum contact. Only available in black.</p>		
<p>GTI-400-SS</p> <p>STAINLESS STEEL TUBE 1.1MM WALL /GRADE 201 4M LENGTH</p> <p>Designed for normal load structures. This is our standard duty tube.</p>		
<p>GT1-400-COLOR</p> <p>TUBE 28.6MM OD 1MM WALL 4M LENGTH</p> <p>Designed for normal load structures. This is our standard duty tube.</p> <p>*Must specify tube color when ordering</p>		
<p>➤ GT2-400-COLOR</p> <p>TUBE 28.6MM OD 2MM WALL 4M LENGTH</p> <p>As the benchmark in strength, our heavy duty tube is ideal for reinforced applications.</p> <p>*Must specify tube color when ordering.</p>		

TUBE COLORS

The outer diameter of tubes is 28.6 mm. Two wall thicknesses are offered: 1 mm for standard applications, and 2 mm for heavier applications. Tubes are available in a wide range of standard colors. Tubes are galvanized inside and out before receiving their 0.8 mm thermoplastic coating. Minimum order of 250 tubes for spot buy colors.

STANDARD TUBE COLORS AND STOCK STATUS

T1-BLACK	IN-STOCK	T2-BLACK	IN-STOCK
T1-BLUE	IN-STOCK	T2-BLUE	IN-STOCK
T1-BROWN	SPOT BUY	T2-BROWN	SPOT BUY
T1-GRAY	IN-STOCK	T2-ESD	SPOT BUY
T1-GREEN	SPOT BUY	T2-BLACK	IN-STOCK
T1-IVORY	SPOT BUY	T2-GRAY	SPOT BUY
T1-ORANGE	SPOT BUY	T2-GREEN	SPOT BUY
T1-RED	SPOT BUY	T2-IVORY	IN-STOCK
T1-WHITE	IN-STOCK	T2-ORANGE	SPOT BUY
T1-YELLOW	SPOT BUY	T2-RED	SPOT BUY
		T2-WHITE	IN-STOCK
		T2-YELLOW	SPOT BUY



ROLLER TRACKS / GUIDES

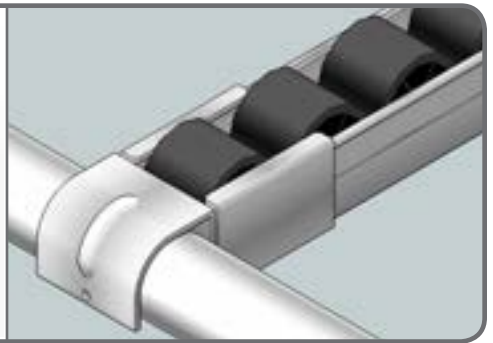
ROLLER TRACKS / GUIDES

➤ GR-400

ROLLER TRACK 30MM DIA. ROUNDED WHEEL

Uses: GM Fittings

Hardware: N/A

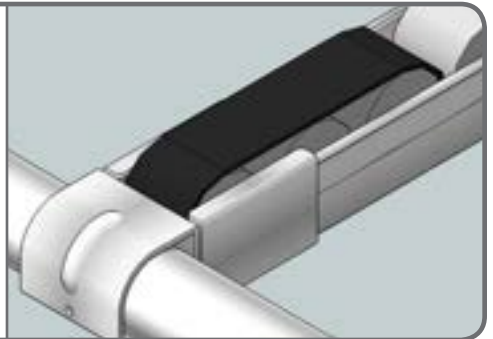


GR-S

GR BRAKE CLIP

Uses: GR-400

Hardware: N/A

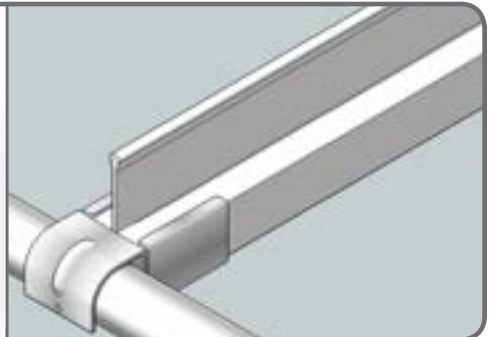
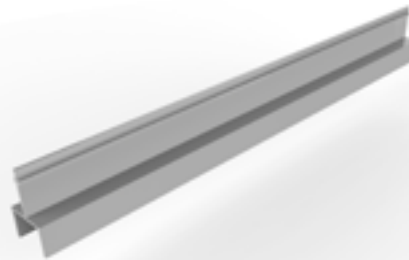


GC400-WHITE

CENTER GUIDE 4M

Uses: GM Fittings

Hardware: N/A



GL410-WHITE

ROLLER TRACK SIDE GUIDE OFFSET 10MM

Uses: GR-400

Hardware: N/A

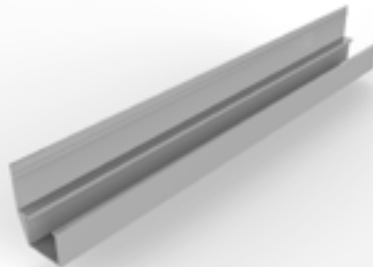


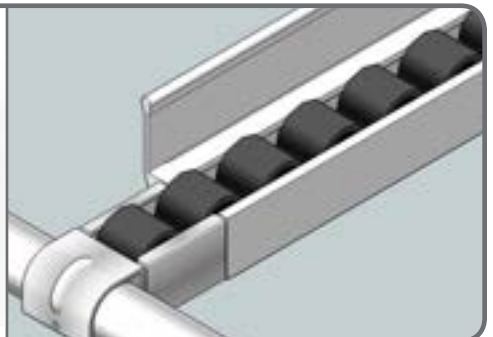
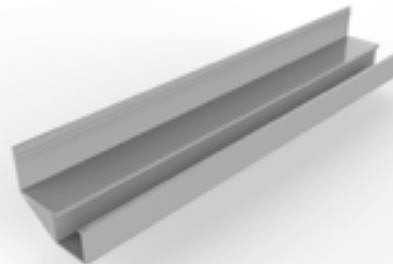
IMAGE COMING SOON

GL450-WHITE

ROLLER TRACK SIDE GUIDE OFFSET 50MM

Uses: GR-400

Hardware: N/A



MONORAIL TRACK & ACCESSORIES

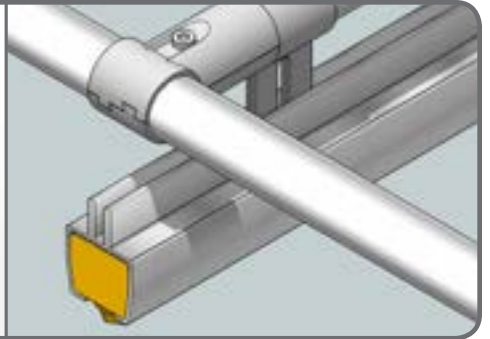
MONORAIL TRACK & ACCESSORIES

STC

MONORAIL END STOP

Uses: C-400

Hardware: N/A

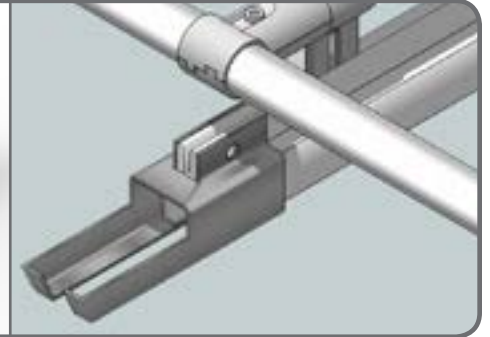
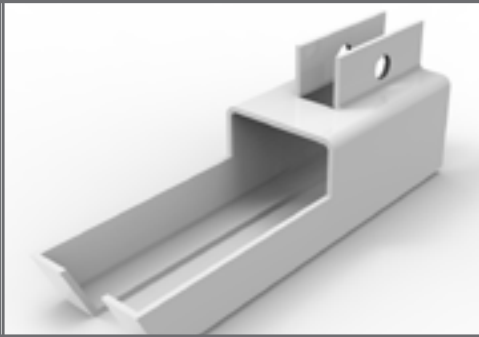


STO

MONORAIL END OPENING

Uses: C-400

Hardware: V3-40S



HC-90

90° S-HOOK

Uses: STC

Hardware: N/A

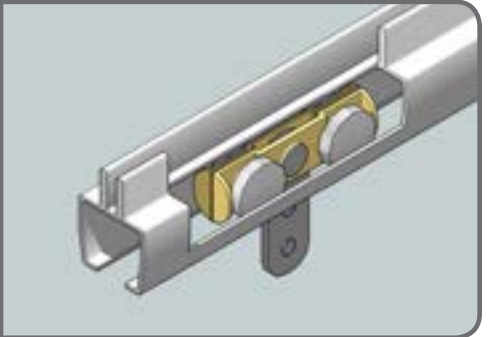


4X4

MONORAIL TROLLEY

Uses: C-400

Hardware: N/A



HC-180

FLAT S-HOOK

Uses: 4X4

Hardware: N/A



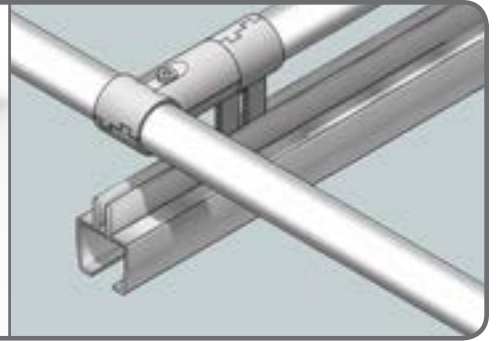
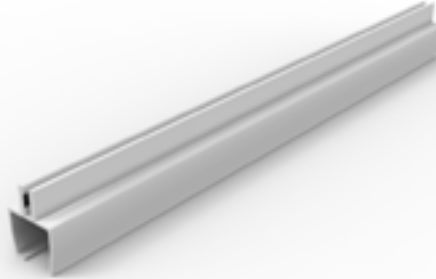
MONORAIL TRACK & ACCESSORIES

C-400

MONORAIL TRACK 4M

Uses: STC, STO, 4X4,
G-H,C400-CLAMP

Hardware: V3-40



C400-CLAMP

C400-CLAMP

Requires: C-400

Hardware: V3-40

IMAGE COMING SOON

IMAGE COMING SOON

BASE FEET & CASTERS

BASE FEET & CASTERS

➤ **AFIN1**

BASE FOOT PLASTIC INSERT T1

Requires: BFP-50

Uses: T1

Hardware: N/A



➤ **AFIN2**

BASE FOOT PLASTIC INSERT T2

Requires: BFP-50

Uses: T2

Hardware: N/A



➤ **A-FP**

BASE FOOT PLASTIC POST

Requires: AFIN1 or AFIN2

Hardware: N/A

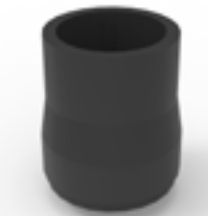


RF-1

BASE TUBE CAP

Uses: T1/T2

Hardware: N/A



GA-F

BASE FLOOR MOUNT PLATE

Uses: T1/T2

Hardware: Miscellaneous



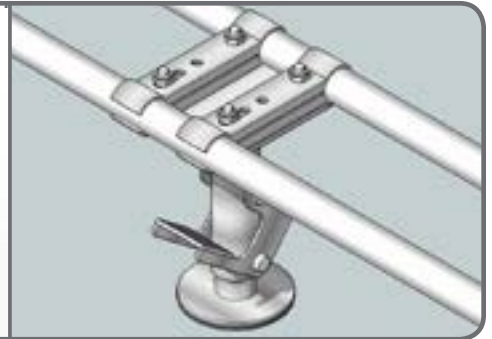
BASE FEET & CASTERS

PL-4

FLOOR LOCK 4"

Uses: J-P

Hardware: V3-50

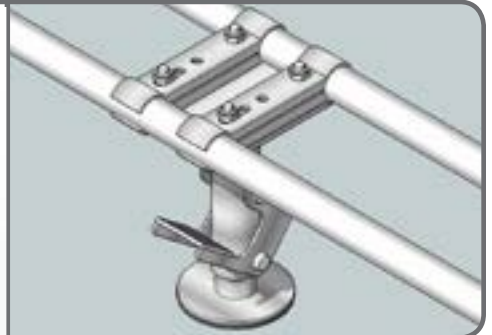


PL-5

FLOOR LOCK 5"

Uses: J-P

Hardware: V3-50

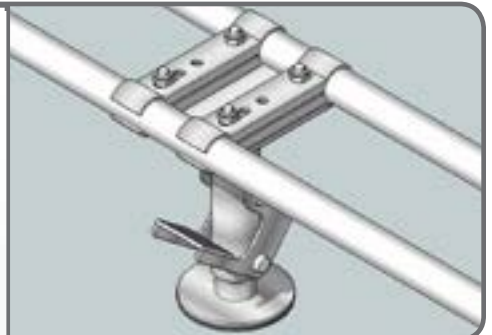


PL-6

FLOOR LOCK 6"

Uses: J-P

Hardware: V3-50



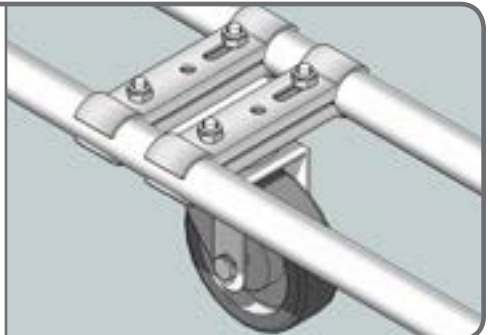
➤ G-P

CASTER MOUNTING BRACKET

Requires: G-P

Uses: T1/T2

Hardware: V3-40



➤ W-125

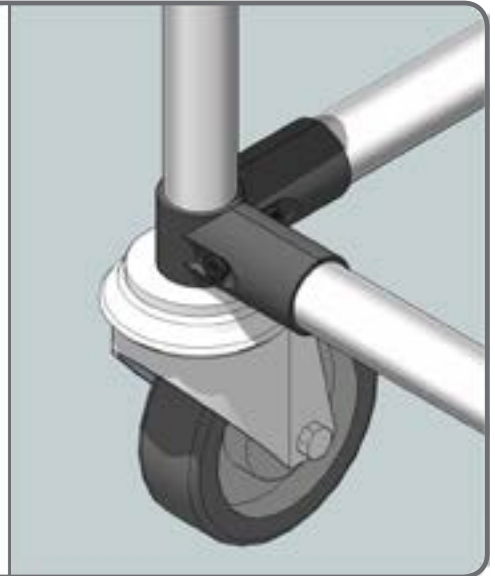
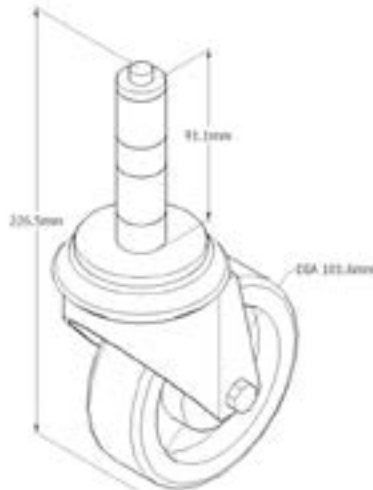
4" SWIVEL TUBE INSERT CASTER

Capacity: 25 KG

Uses: T1/T2

Hardware: N/A

*Also available in high capacity.
Add S to end of part number.



➤ WB-125

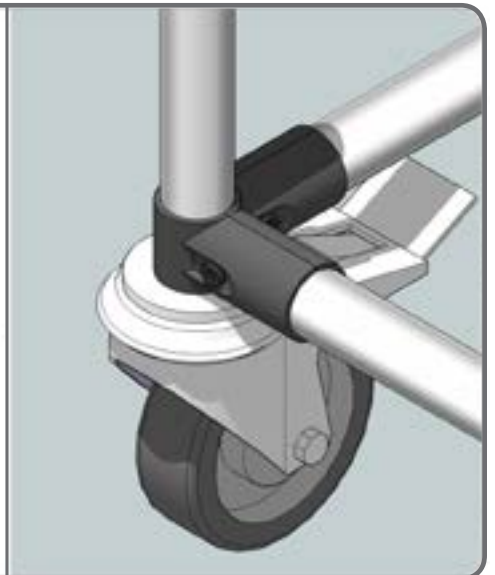
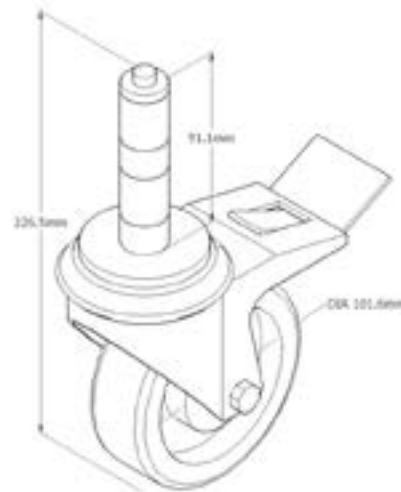
4" SWIVEL/BRAKE TUBE INSERT CASTER

Capacity: 25 KG

Uses: T1/T2

Hardware: N/A

*Also available in high capacity.
Add S to end of part number.



➤ WF-125

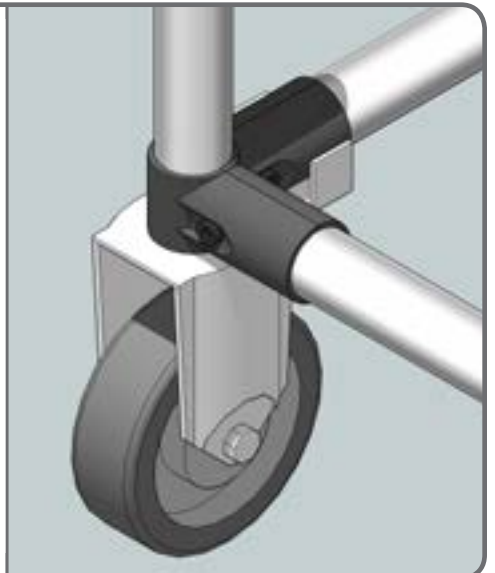
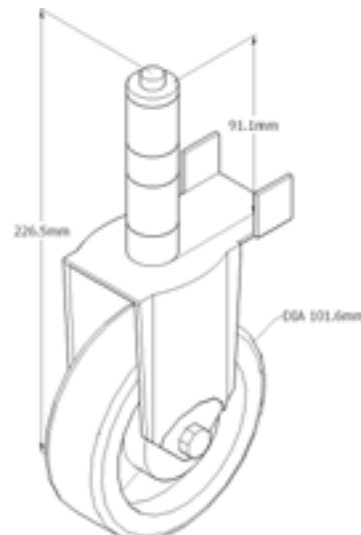
4" FIXED TUBE INSERT CASTER

Capacity: 25 KG

Uses: T1/T2

Hardware: N/A

*Also available in high capacity.
Add S to end of part number.



BASE FEET & CASTERS

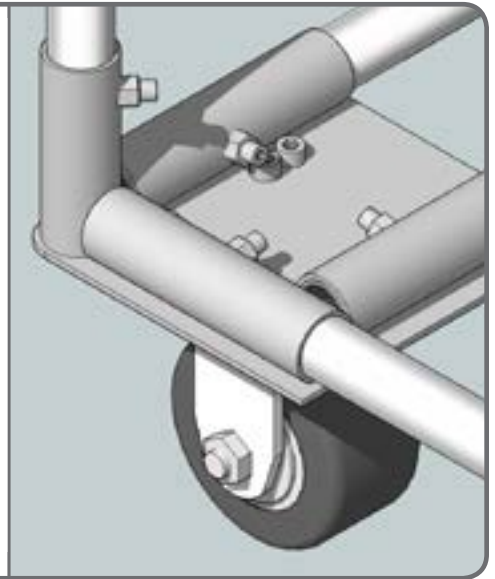
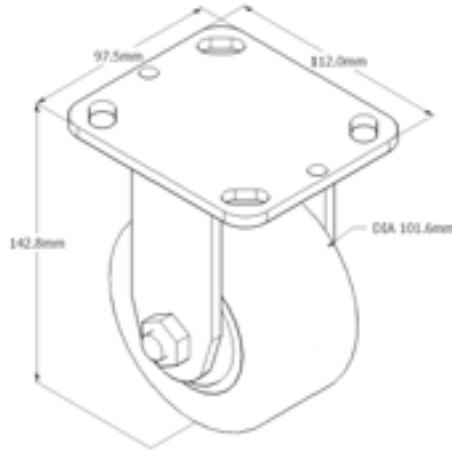
RB-U100

4" FIXED CASTER

Capacity: 272 KG

Uses: J-P, RTS-L/R, RB-P

Hardware: V3-40 (J-P)
V3-25 (RTS-L/R)
V3-25, V3-90 (RB-P)



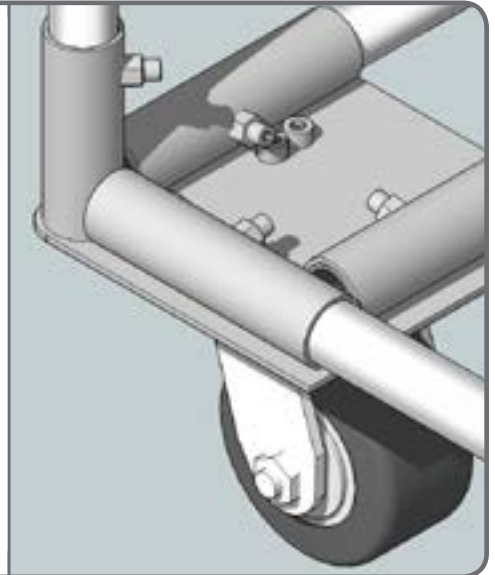
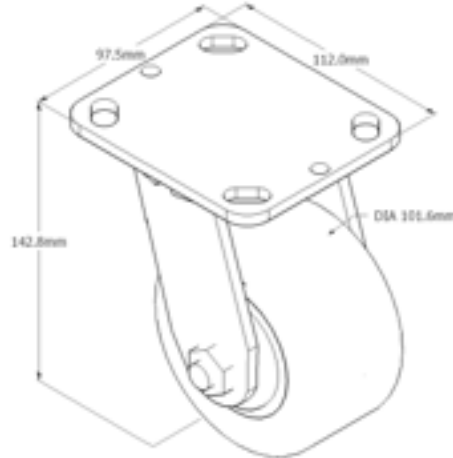
RB-U100S

4" SWIVEL CASTER

Capacity: 272 KG

Uses: J-P, RTS-L/R, RB-P

Hardware: V3-40 (J-P)
V3-25 (RTS-L/R)
V3-25, V3-90 (RB-P)



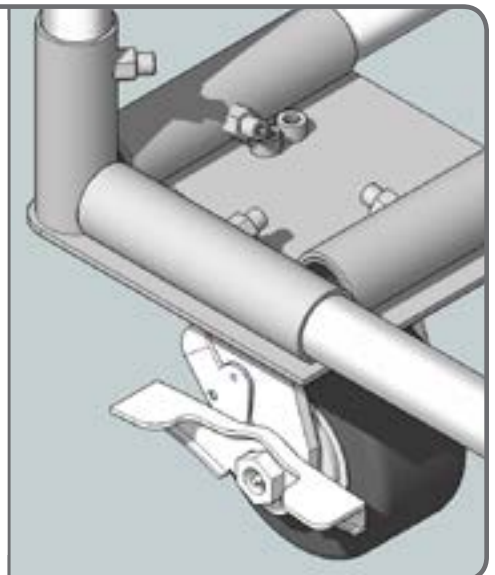
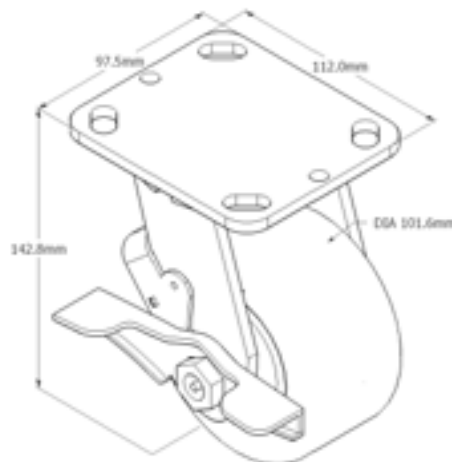
RB-U100B

4" SWIVEL/BRAKE CASTER

Capacity: 272 KG

Uses: J-P, RTS-L/R, RB-P

Hardware: V3-40 (J-P)
V3-25 (RTS-L/R)
V3-25, V3-90 (RB-P)



BASE FEET & CASTERS

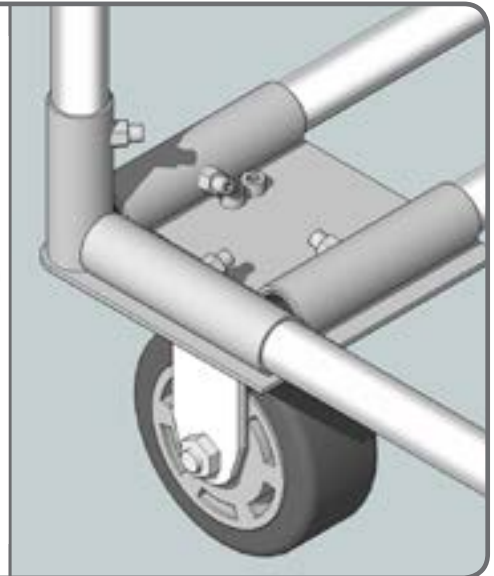
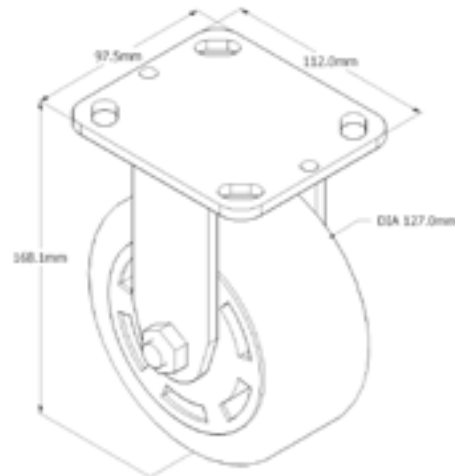
RB-U130

5" FIXED CASTER

Capacity: 350 KG

Uses: J-P, RTS-L/R, RB-P

Hardware: V3-40 (J-P)
V3-25 (RTS-L/R)
V3-25, V3-90 (RB-P)



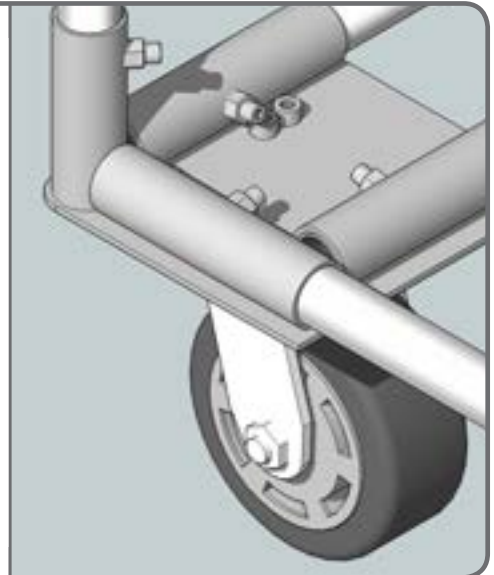
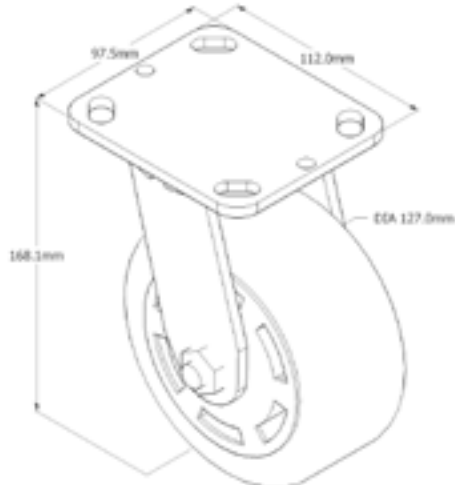
RB-U130S

5" SWIVEL CASTER

Capacity: 350 KG

Uses: J-P, RTS-L/R, RB-P

Hardware: V3-40 (J-P)
V3-25 (RTS-L/R)
V3-25, V3-90 (RB-P)



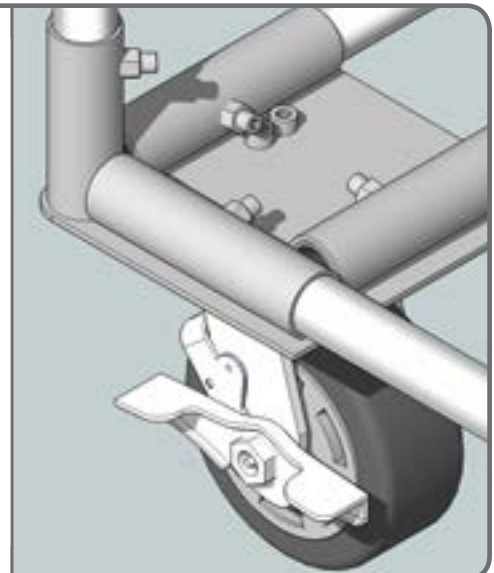
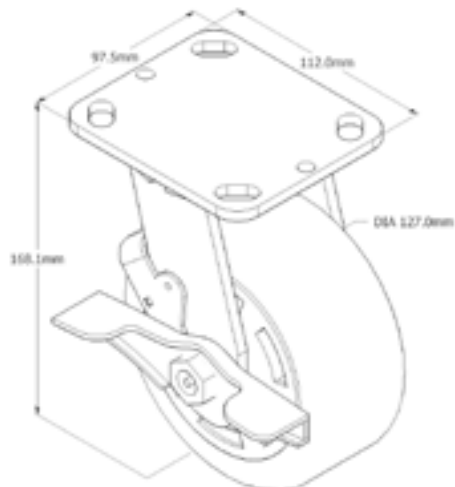
RB-U130B

5" SWIVEL/BRAKE CASTER

Capacity: 350 KG

Uses: J-P, RTS-L/R, RB-P

Hardware: V3-40 (J-P)
V3-25 (RTS-L/R)
V3-25, V3-90 (RB-P)



BASE FEET & CASTERS

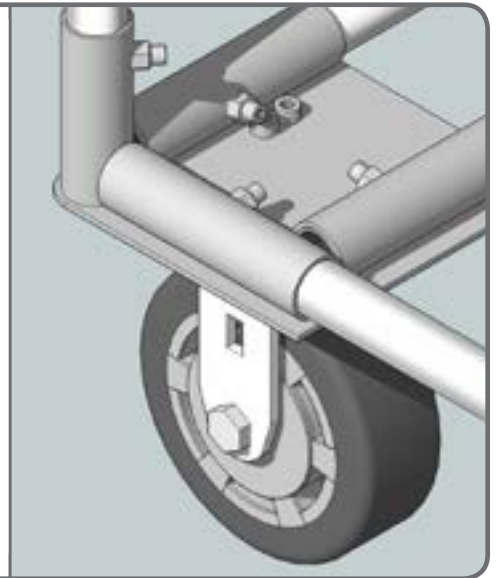
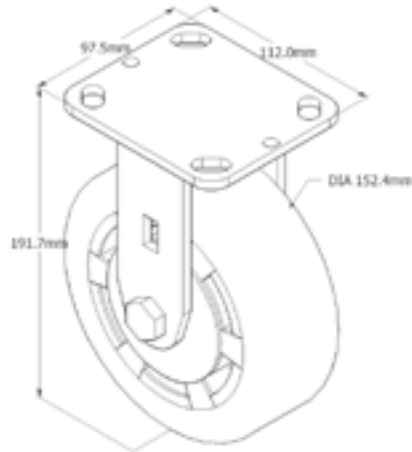
➤ **RB-U160**

6" FIXED CASTER

Capacity: 453 KG

Uses: J-P, RTS-L/R, RB-P

Hardware: V3-40 (J-P)
V3-25 (RTS-L/R)
V3-25, V3-90 (RB-P)



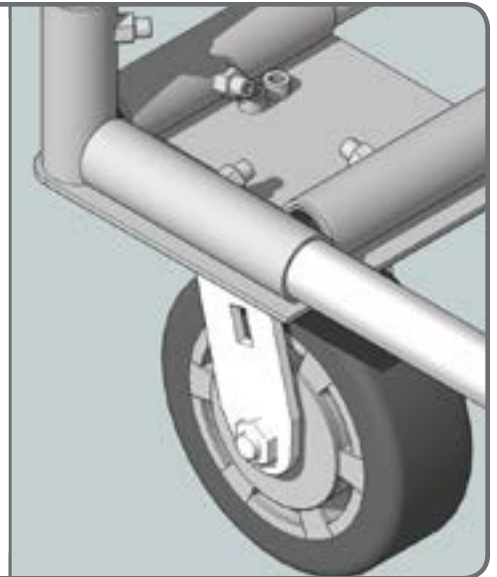
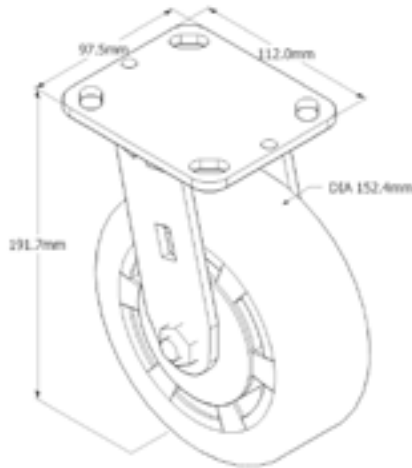
➤ **RB-U160S**

6" SWIVEL CASTER

Capacity: 453 KG

Uses: J-P, RTS-L/R, RB-P

Hardware: V3-40 (J-P)
V3-25 (RTS-L/R)
V3-25, V3-90 (RB-P)



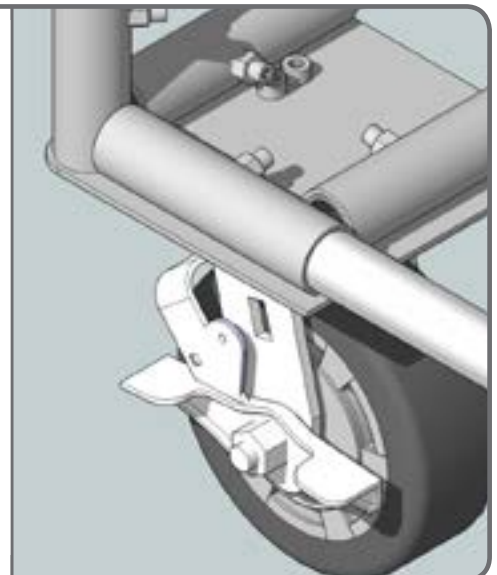
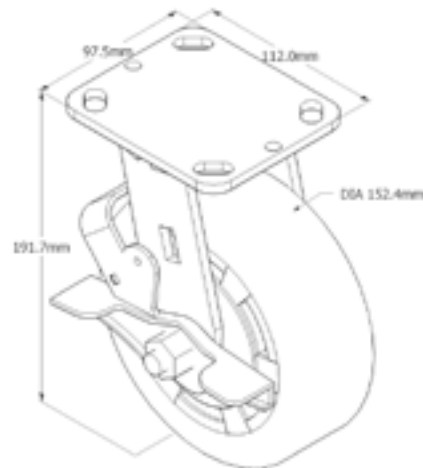
➤ **RB-U160B**

6" SWIVEL/BRAKE CASTER

Capacity: 453 KG

Uses: J-P, RTS-L/R, RB-P

Hardware: V3-40 (J-P)
V3-25 (RTS-L/R)
V3-25, V3-90 (RB-P)



BASE FEET & CASTERS

RB-U200

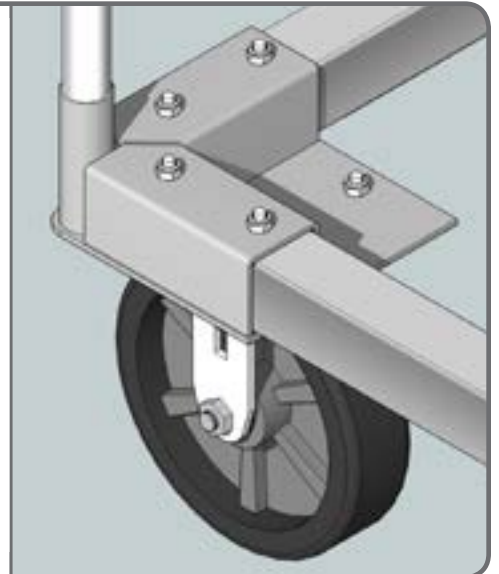
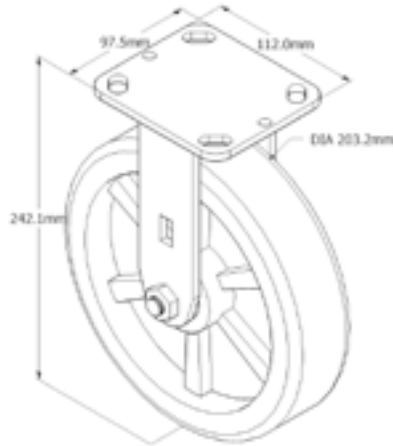
8" FIXED CASTER

Capacity: 544 KG

Uses: RTS-L/R, RB-P

Hardware: V3-25 (RTS-L/R)
V3-25, V3-90 (RB-P)

*Also available in high speed.
Add -HS to part number



RB-U200S

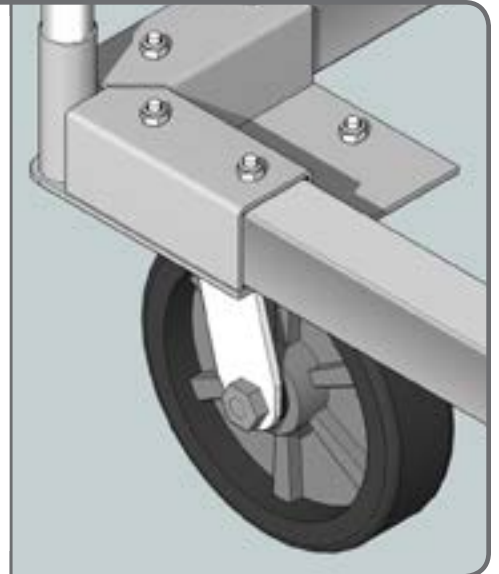
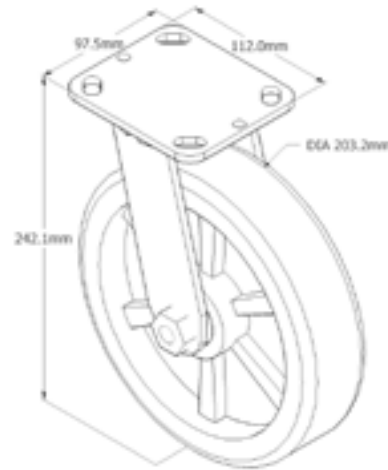
8" SWIVEL CASTER

Capacity: 544 KG

Uses: RTS-L/R, RB-P

Hardware: V3-25 (RTS-L/R)
V3-25, V3-90 (RB-P)

*Also available in high speed.
Add -HS to part number



RB-U200B

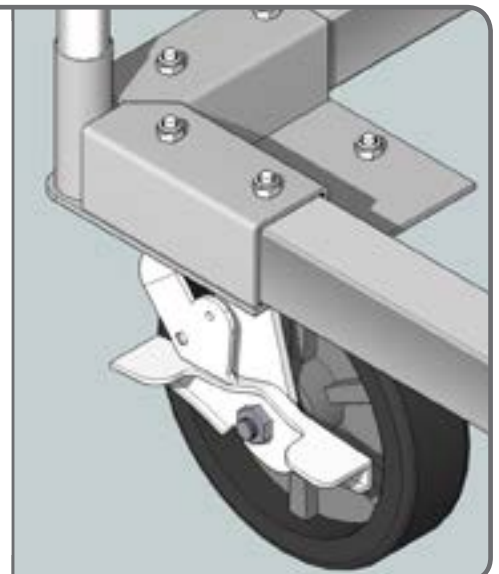
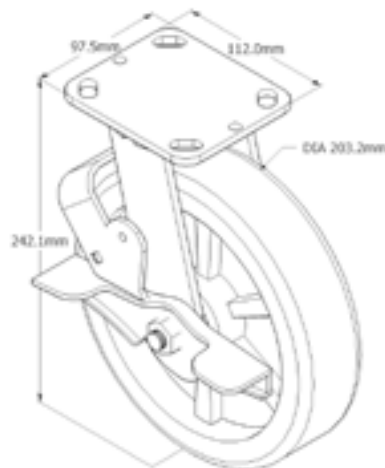
8" SWIVEL/BRAKE CASTER

Capacity: 544 KG

Uses: RTS-L/R, RB-P

Hardware: V3-25 (RTS-L/R)
V3-25, V3-90 (RB-P)

*Also available in high speed.
Add -HS to part number



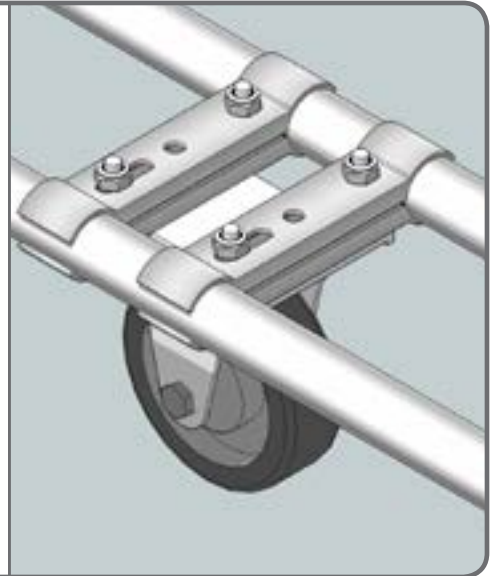
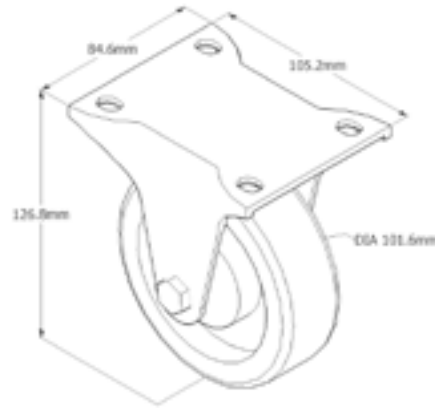
➤ C-125

4" FIXED CASTER

Capacity: 100 KG

Uses: J-P, RTS-L/R

Hardware: V3-40 (J-P)
V3-25 (RTS-L/R)



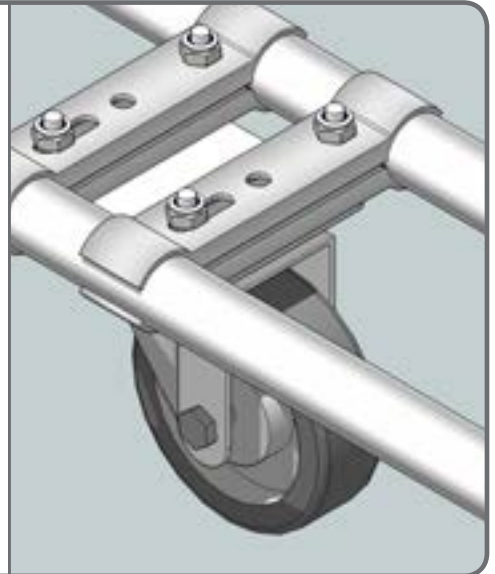
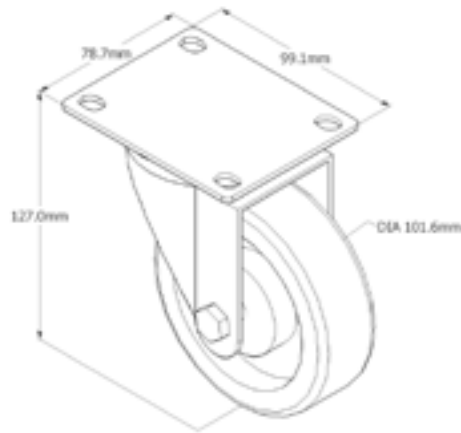
➤ CS-125

4" SWIVEL CASTER

Capacity: 100 KG

Uses: J-P, RTS-L/R

Hardware: V3-40 (J-P)
V3-25 (RTS-L/R)



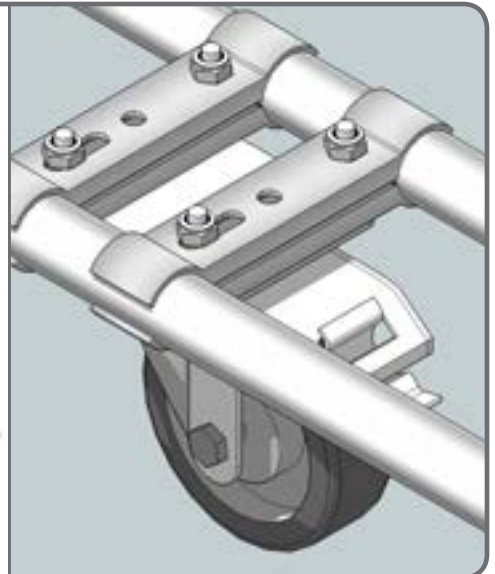
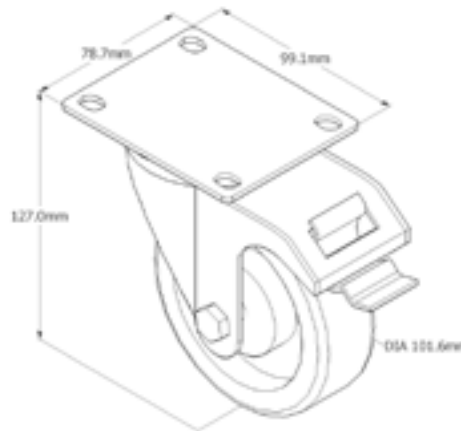
➤ CSB-125

4" SWIVEL/BRAKE CASTER

Capacity: 100 KG

Uses: J-P, RTS-L/R

Hardware: V3-40 (J-P)
V3-25 (RTS-L/R)



METAL BASES & BASE COMPONENTS

METAL BASES & BASE COMPONENTS

RTS-L

CASTER CORNER MOUNTING PLATE LEFT

Uses: T1/T2

Hardware: V3-25 (x4)

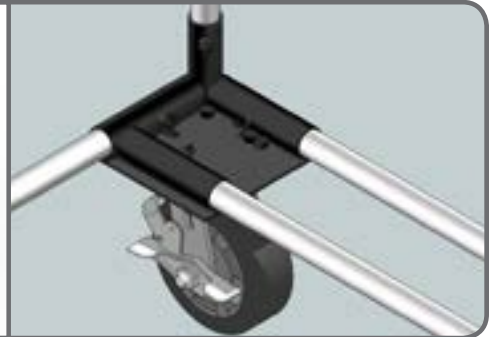


RTS-R

CASTER CORNER MOUNTING PLATE RIGHT

Uses: T1/T2

Hardware: V3-25 (x4)



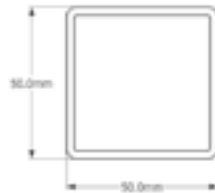
RB-400

2" SQUARE TUBING BLACK 10FT

Uses: MRB-P, RB-PI, RB-PIT

Hardware: N/A

* This part is also used for quad-steer carts

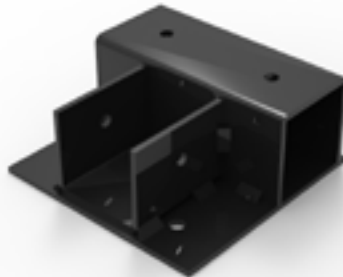


RB-PI

CENTER PLATE

Uses: RB-400

Hardware: V3-25, V3-90

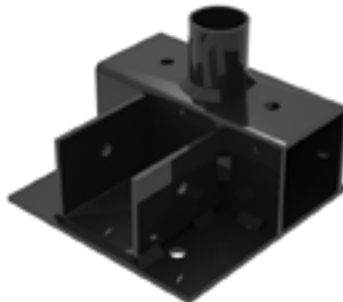


RB-PIT

CENTER PLATE W/ VERTICAL TUBE

Uses: RB-400

Hardware: V3-25, V3-90



METAL BASES & BASE COMPONENTS

RB-PF

FORK LOOPS

Uses: RB-400

Hardware: V3-90

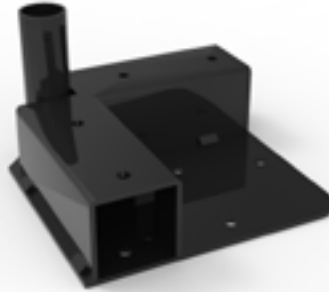


RB-P

CORNER PLATE

Uses: RB-400

Hardware: V3-25, V3-80, V3-90
* Needs two of each



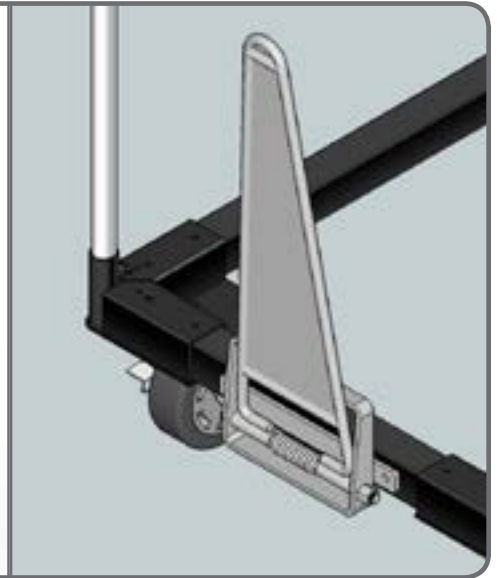
RB-TB

SPRING LOADED TOW ARM ASSEMBLY

Uses: RB-400, RB-RH

Hardware: Included

For RB-400: V3-80 (x2)



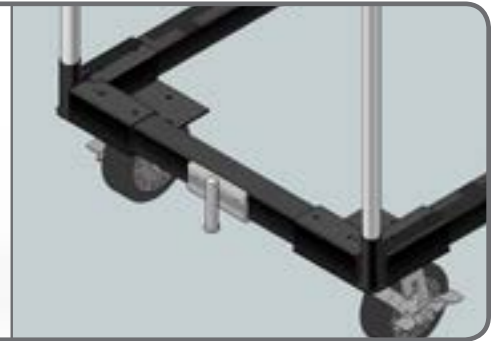
RB-RH

POST RECEIVER FOR RB-TB

Uses: RB-400, RB-TB

Hardware: Included

For RB-400: V3-80 (x2)



ACCESSORIES & BASES

SC-4

TUBE END CAP

Uses: T1/T2

Hardware: N/A

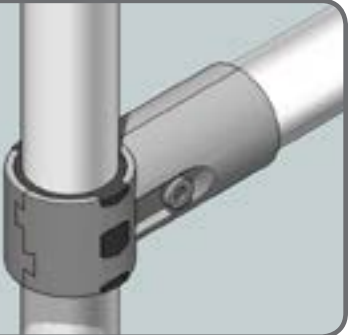


R-S

PLASTIC SLIDING INSERT FOR G-V JOINTS

Uses: G-V(1-4) and T1/T2

Hardware: N/A



RC-9

SURFACE MOUNT FLAT

Uses: T1/T2

Hardware: N/A



IMAGE COMING SOON

R-CL40

40MM LABEL HOLDER STRIP W-HW

Uses: T1/T2

Hardware: N/A



IMAGE COMING SOON

R-CL70

70MM LABEL HOLDER STRIP W-HW

Uses: T1/T2

Hardware: N/A

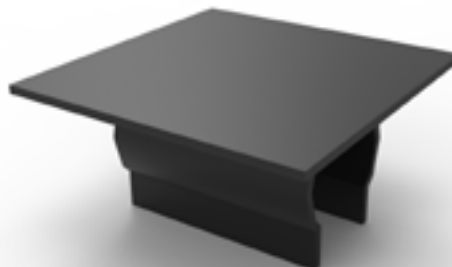


IMAGE COMING SOON

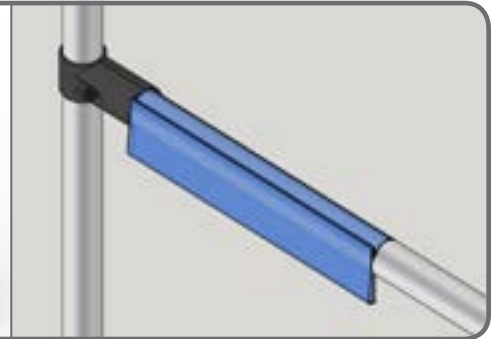
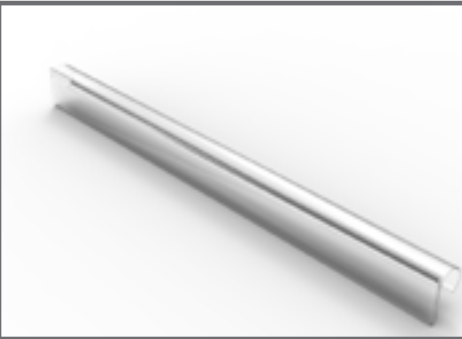
ACCESSORIES & BASES

LH-55150

**LABEL HOLDER
55MM X 1500MM**

Uses: T1/T2

Hardware: N/A

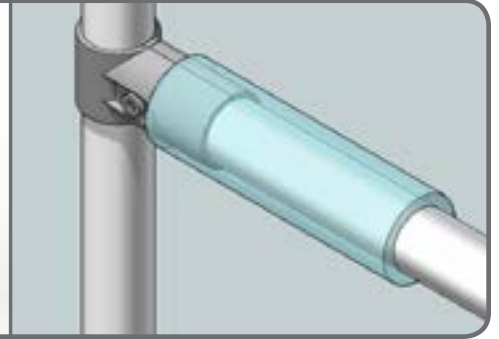


PTT-200

**VINYL SLEEVE 6FT
1/4" WALL**

Uses: T1/T2

Hardware: N/A

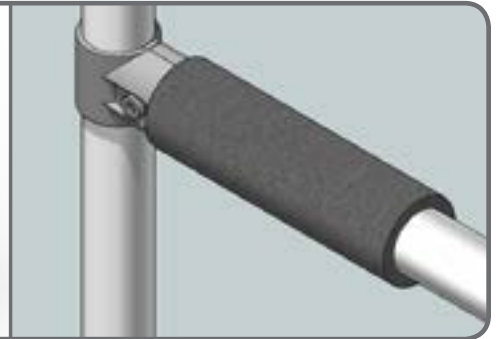
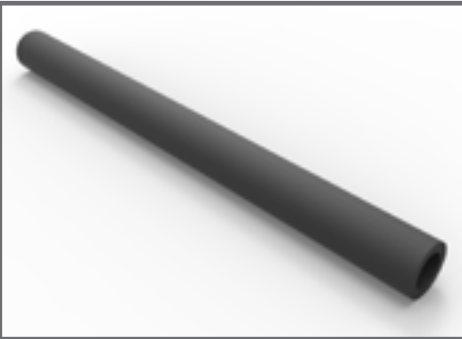


PTF-200

**FOAM SLEEVE 6FT
3/8" WALL**

Uses: T1/T2

Hardware: N/A

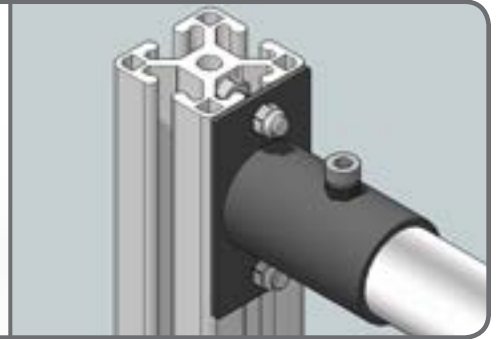
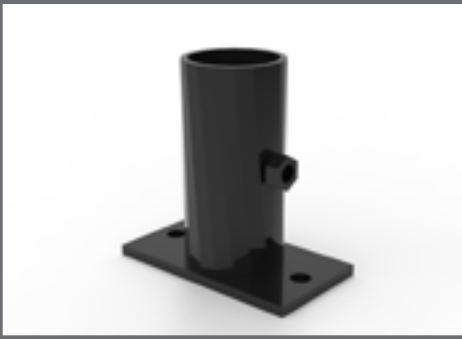


GPV

**EXTRUSION PROFILE
TUBE MOUNT**

Uses: T1/T2

Hardware: Miscellaneous

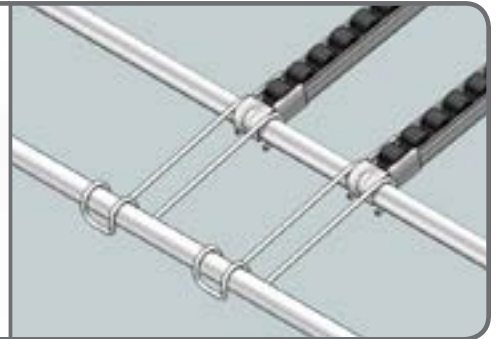


WT-200

200MM HANGER

Uses: T1/T2

Hardware: N/A



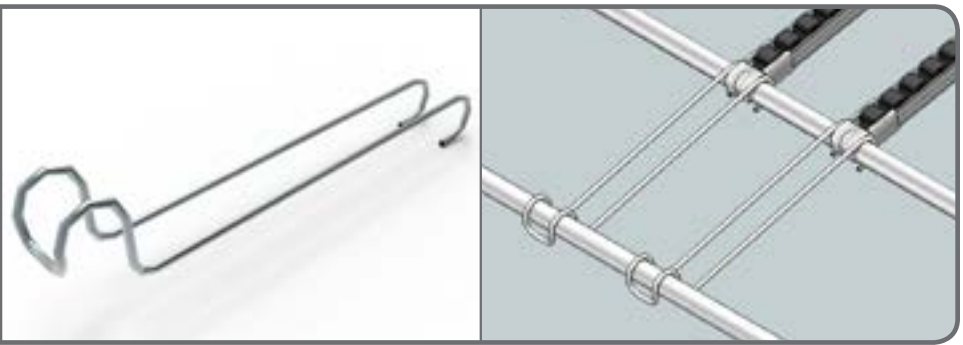
ACCESSORIES & BASES

WT-300

300MM HANGER

Uses: T1/T2

Hardware: N/A

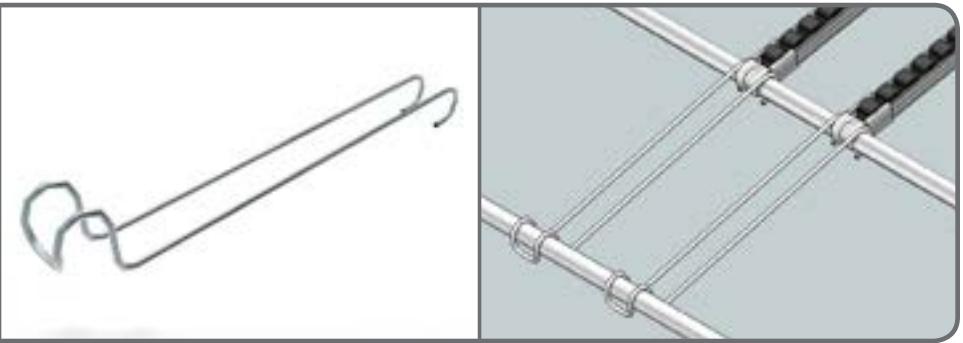


WT-400

400MM HANGER

Uses: T1/T2

Hardware: N/A

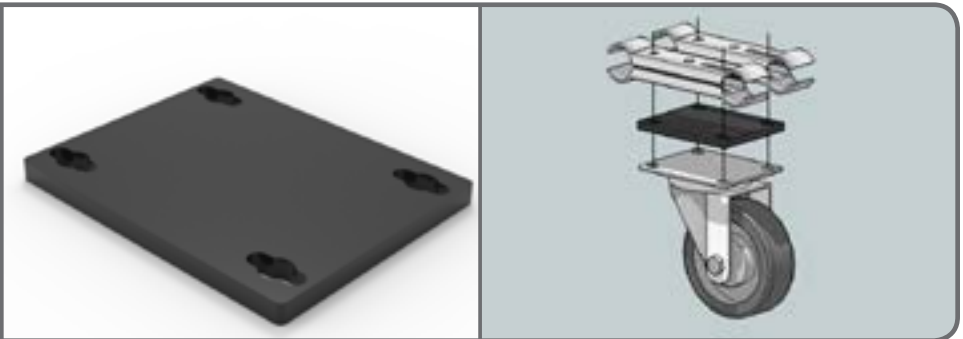


GPI-10

CASTER MOUNTING SPACER PLATE 10MM

Uses: P Series Casters

Hardware: V3-50

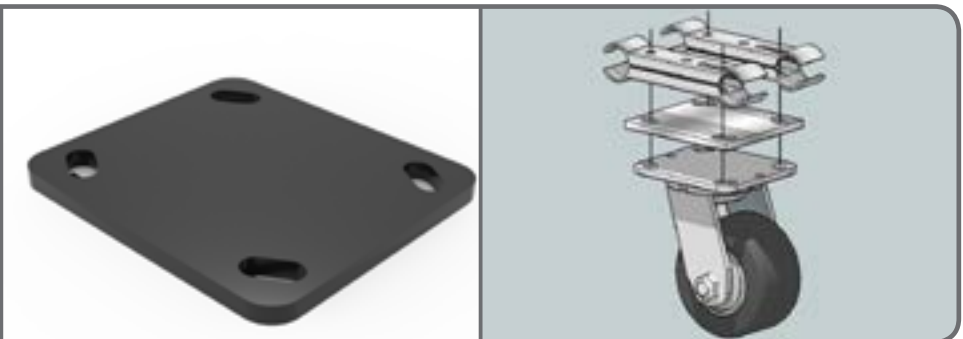


GPI-20

CASTER MOUNTING SPACER PLATE 20MM

Uses: MB Series Casters

Hardware: V3-50



ATK-01

5MM ALLEN KEY

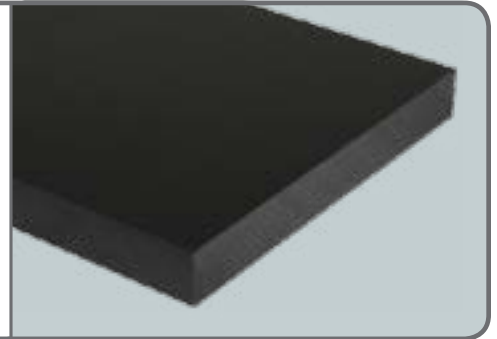
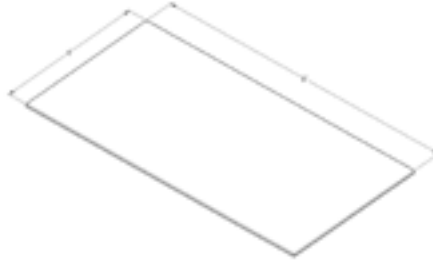


HDPE-SIZE

HDPE

HDPE-1/4-4'X8'-BLK
HDPE-3/8-4'X8'-BLK
HDPE-1/2-4'X8'-BLK
HDPE-3/4-4'X8'-BLK

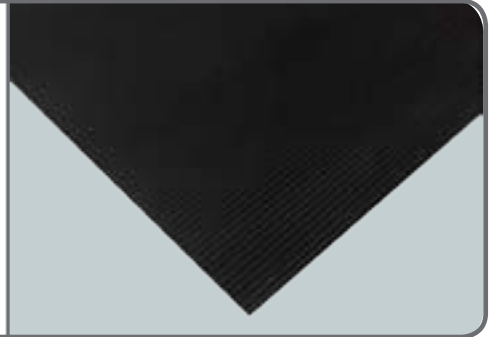
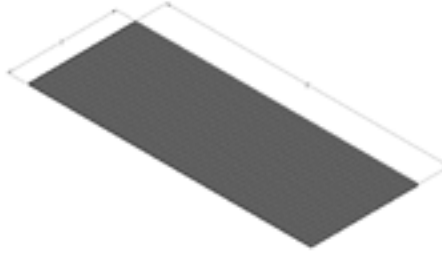
Dimensions: 4x8, Finish: Matte



MOTION MAT

MOTION MAT

Part: MM-1/12-2X8-BK

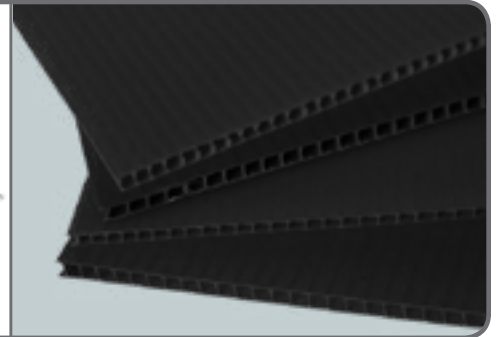
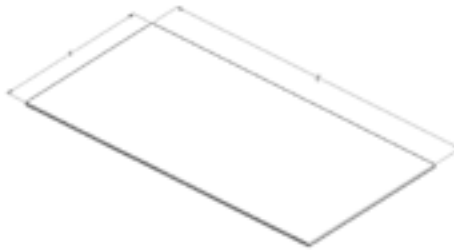


PCB-10

PLASTIC CORRUGATED BOARD

Part: PCB-10MM-4X8-BK

Color: Black



HARDWARE

HARDWARE

➤ **V1-10B**

M6X10MM BOLT



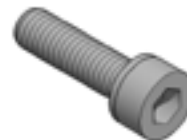
V1-12B

M6X12MM BOLT



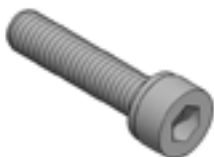
V1-20B

M6X20MM BOLT



➤ **V1-28B**

M6X28MM BOLT



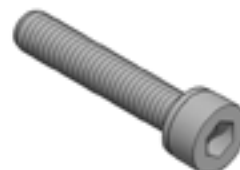
➤ **V4-28B**

**M6X28MM BOLT WITH
ADHESIVE**



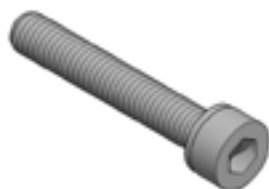
➤ **V1-30B**

M6X30MM BOLT



V1-35B

M6X35MM BOLT



➤ **V1-SN**

M6 SLEEVE HEX NUT



V1-FN

M6 FLAT HEX NUT



V3-20B

M8X20MM BOLT



V3-25B

M8X25MM BOLT



V3-40B

M8X40MM BOLT



V3-50B

M8X50MM BOLT



V3-60B

M8X60MM BOLT



V3-80B

M8X80MM BOLT



V3-90B	V3-FW	V3-N
M8X90MM BOLT 	M8 FLAT WASHER 	M8 ZINC PLATED NYLOCK NUT 

*** SEE PRICE LIST FOR ITEMS AVAILABLE AS SETS**

Common sets:

V1-25B + V1-SN = V1-25 ➤

V1-30B + V1-SN = V1-30 ➤

V1-35B + V1-SN = V1-35

V3-20B + V3-N = V3-20

V3-25B + V3-N = V3-25

V3-40B + V3-N = V3-40

V3-50B + V3-N = V3-50

V3-80B + V3-N = V3-80

V3-90B + V3-N = V3-90

V4-25B + V1-SN = V4-25 ➤